



DYNAVENT

OPEN SKY ROOF VENTILATORS



DYNAVENT



Dynavent Open Sky Roof Ventilators are natural louvered ventilators manufactured in high quality aluminium having wide range of sizes and control options suitable for most industrial and commercial buildings

These highly efficient and extremely versatile units come with a variety of impressive features and are very easy to maintain.

High Efficiency : Aerodynamically tested

Weather : It is resistant to air leakage and rain water.

Fire Protection : Dynavent natural smoke ventilators have been successfully tested by Warrington Certification Ltd UK in accordance with the procedure specified in Annexure G of BS EN 12101-2:2003 which requires that the ventilator opens fully with no closure, partial reclosure or distribution which would reduce the throat area by more than 10%. When subjected to heating condition of 300° C for 30 min.

Durability : Dynavent Open Sky Roof Ventilators will withstand over 15 years of normal use

Controls : A wide range of control options (viz pneumatic, electric and manual) are available

Installation : Can be fitted easily to any roof or glazed construction

Technical Support : In-house trained engineers can provide a pre-order design service.



Base Assembly : Press formed mill finished aluminium 1.4 mm thick.

Side & Ends : Mill finished aluminium, 1.4mm thick.

Blades : Mill finished aluminium, 1.4mm thick, double skin insulated models are also available upon request.

Blade Pivots : Self lubrication nylon to ensure maintenance free operation



Benefits:

- To keep escape and access routes free from smoke for evacuation of people
- Facilitate fire fighters by creating a smoke free layer
- Protect the materials inside the building and avoid financial losses by preventing smoke logging
- Delay and/or prevent flashover and subsequent full development of fire
- Reducing thermal effects on structural components and also damage caused due to thermal decomposition products and hot gases



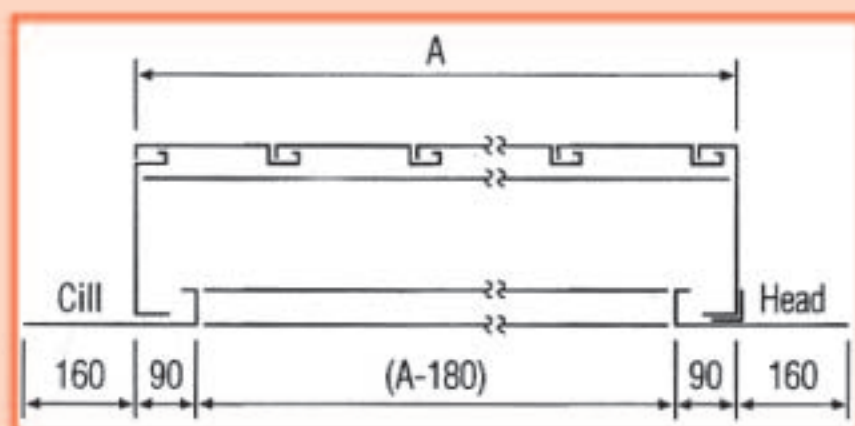
Application:

- Warehouses
- Workshops
- Factories
- Shopping Malls
- Supermarkets

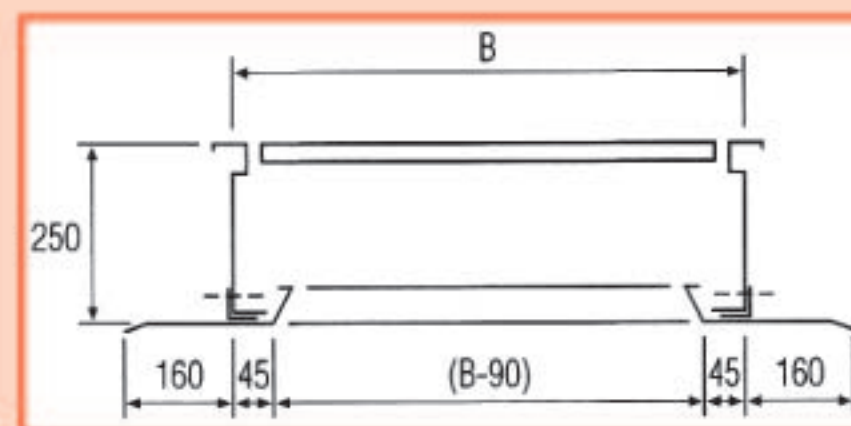
Open Sky Roof Ventilators

Weight and Dimensions

Module	Length A	Length B	Throat Area m2	Kg
DSV 0512	1070	1200	0.98	27.2
DSV 0515	1070	1500	1.25	31.0
DSV 0517	1070	1700	1.43	33.5
DSV 0520	1070	2000	1.70	37.4
DSV 0612	1270	1200	1.21	30.2
DSV 0617	1270	1700	1.75	38.6
DSV 0620	1270	2000	2.08	42.9
DSV 0720	1470	2000	2.46	45.4
DSV 0920	1870	2000	3.23	53.4
DSV 1017	2070	1700	3.04	51.5
DSV 1020	2070	2000	3.61	57.4
DSV 1120	2270	2000	4.00	59.4
DSV 1220	2470	2000	4.37	65.3



Flat Base Detail



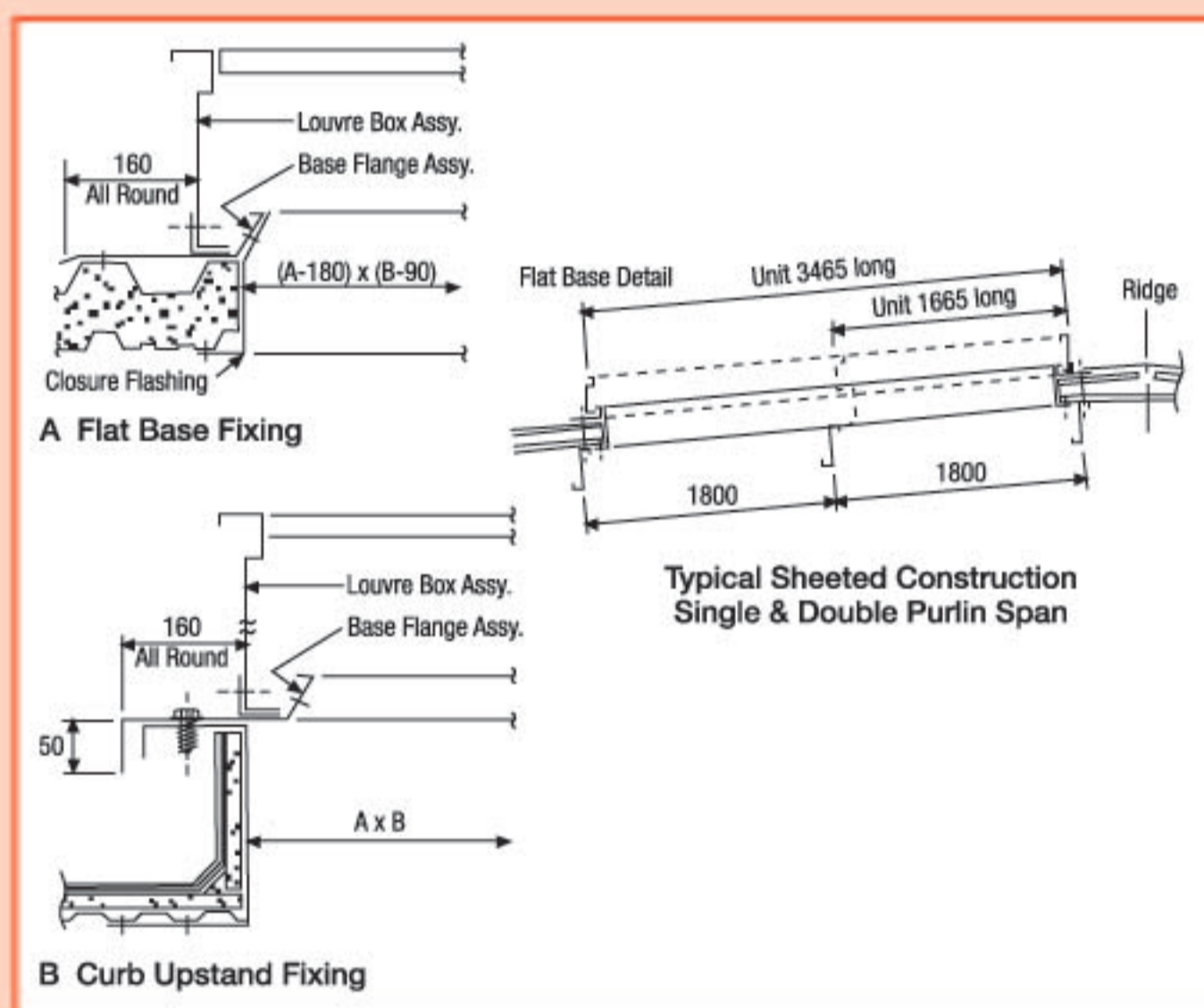
Flat Base Detail

Notes: Base flanges are supplied flat or turned down as required.
Bases are supplied separately to enable roof openings to be fully weathered, trimmed and flashed before louvres are fitted.

Open Sky Roof Ventilators

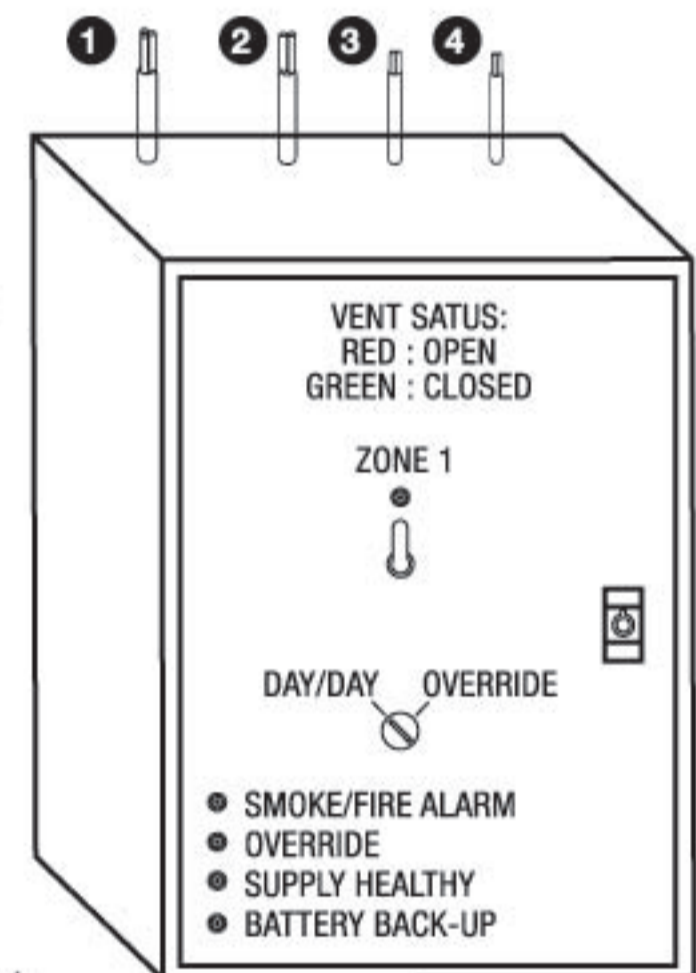
Specification & Installation

Smoke/fire ventilation system control panes

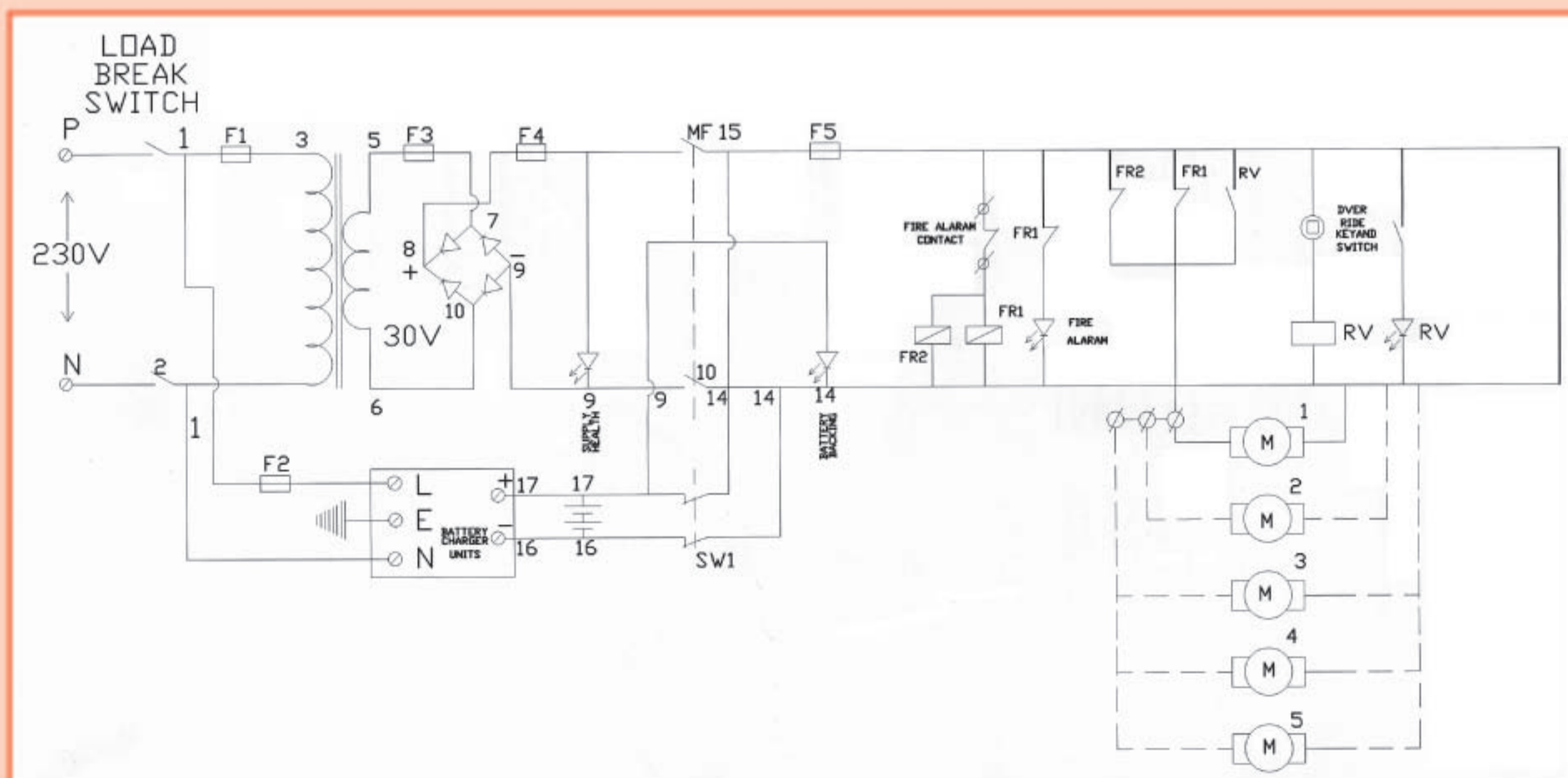


OVERALL DIMENSIONS
SUBJECT TO APPLICATION
(APPROX. 400 X 300 X 150)

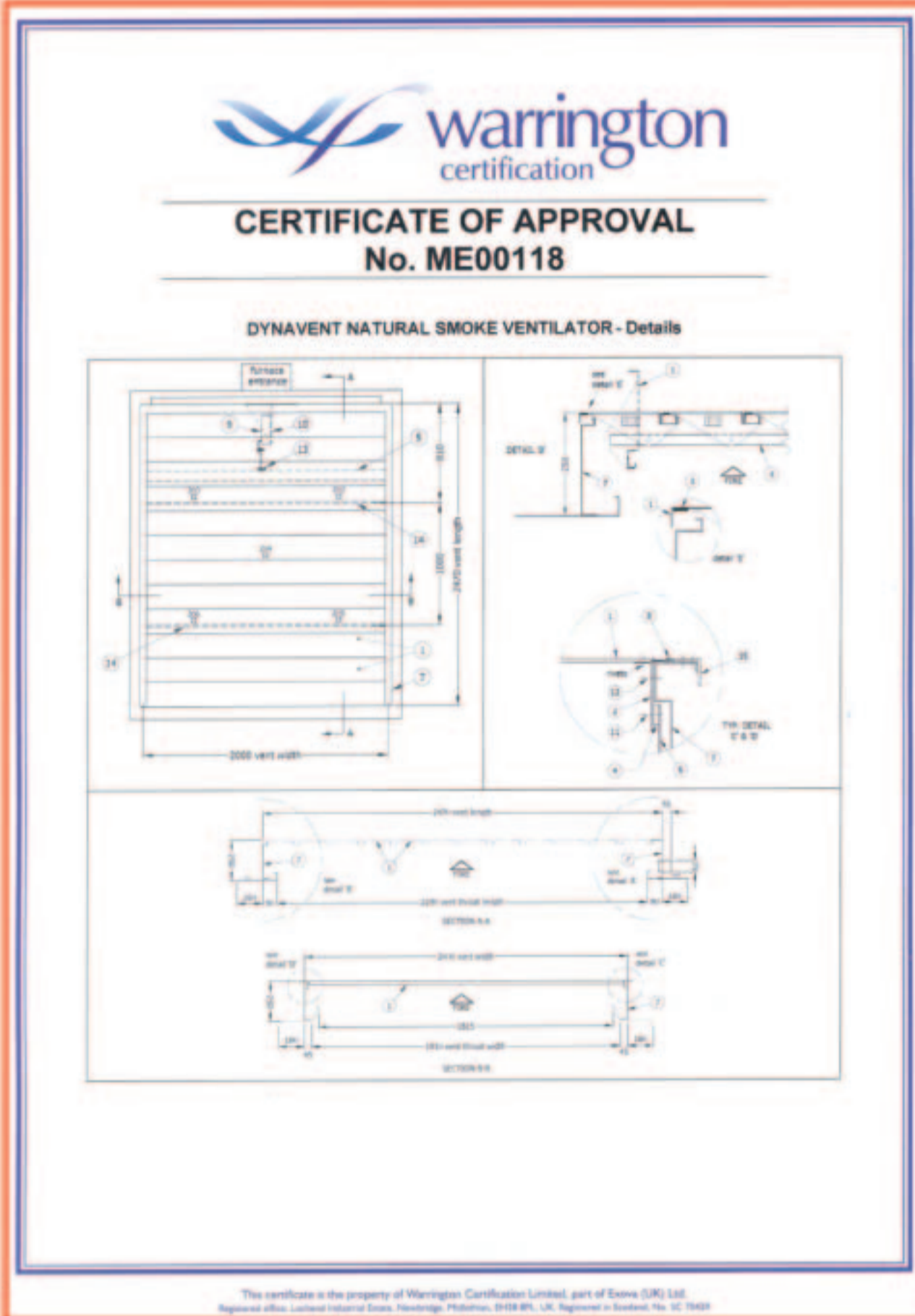
- 1 SMOKE/FIRE ALARM SIGNAL
- 2 OVERRIDE PANEL (IF REQ'D)
- 3 TO MOTORS
- 4 A.C. SUPPLY



Do not scale - if in doubt ask



Certifications



Manufactured by:



Building Future For Air Distribution Systems

P.O.Box 9014

Al Ghail Industrial Park

Ras Al Khaimah, U.A.E

Tel: +971 7 2216095/6/7



ISO 9001:2008

www.maico.ae